

# SWING-CHECK VALVE

**L 10 117 563**

**L 10 117 263**

**PN 63**

## APPLICATION

Self-acting valve which prevents reverse flow of the service fluid. It is used for water, steam, and other non-aggressive liquids and gases. Maximum working pressures and temperatures:

Temperature [°C]	Pressure [Mpa]		
	-563	-263	-263B
-50	-	-	8,02
-20	6,30	-	8,02
200	6,30	7,78	8,02
300	4,87	7,58	7,35
400	0,70	6,70	7,35
450	1,87	6,27	-
500	-	4,90	-
550	-	2,15	-

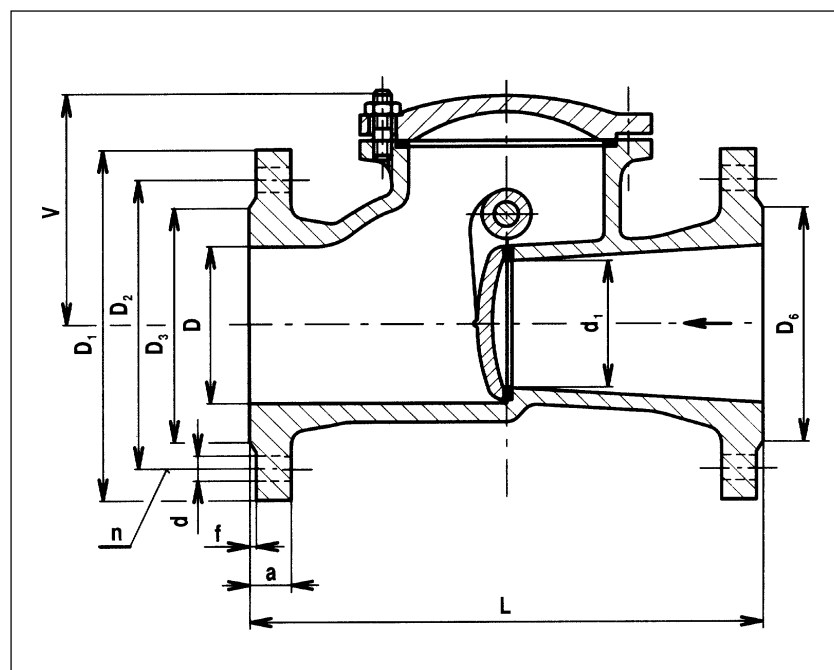
The valve is not for flow shut-off - a shut-off valve must be installed in the pipeline for this purpose.

## DESIGN FEATURES

Swing check valve is straight flow valve. Disc fits on the seat sealing surface and is carried in an arm revolving on a special hinge pin. Sealing surfaces are welded on. Disc is pushed to the sealing surfaces during the reverse flow.

## STANDARDS

Face-to-face dimensions are given in the table below. Face-to-face dimensions as per ČSN EN 558-1. Flange connection dimensions as per ČSN 13 1060 and ČSN 13 1061.



## MATERIAL

Part	-563	-263	-263B
Body, bonnet, disc	carbon steel (GS-C25)	alloy steel (1.7357)	alloy steel (1.1133)
Pin	stainless steel (13Cr)		
Sealing surface	welded overlay (13Cr)		

## INSTALLATION

Valve can be installed either into horizontal or vertical position. In vertical pipeline disc must be in upper position and flow direction must be upwards.

## TESTING AND CERTIFICATES

Testing is carried out in accordance with DIN 3230, certificates to EN 10204/3.1.B.

## VARIOUS DESIGN

L10 - basic, L11 - with lever and counterweight, L16 - with by-pass, L17 - with lever and counterweight and by-pass

DN	D	d1	L	V	D1	D2	D3	a	f	n	d	kg
50	50	40	300	102	180	135	102	26	3	4	22	18
65	70	60	340	160	205	160	122	26	3	8	22	25
80	80	70	380	165	215	170	133	28	3	8	22	32
100	100	85	430	175	250	200	158	30	3	8	26	45
125	125	100	500	185	295	240	184	34	3	8	30	68
150	150	125	550	245	345	280	212	36	3	8	33	100
200	200	170	650	265	415	345	285	42	3	12	36	153
250	250	215	775	330	470	400	345	46	3	12	36	248
300	300	270	900	365	530	460	410	52	4	16	36	374
350	350	320	1025	415	600	525	465	56	4	16	39	528
400	400	360	1150	460	670	585	535	60	4	16	42	685