

SWING-CHECK VALVE

L 10 117 516
L 10 117 216

PN 16

APPLICATION

Self-acting valve which prevents reverse flow of the service fluid. It is used for water, steam, and other non-aggressive liquids and gases. Maximum working pressures and temperatures:

Temperature [°C]	Pressure [Mpa]		
	-516	-216	-216B
-50	-	-	2,03
-20	1,60	-	2,03
200	1,60	2,00	2,03
300	1,24	1,92	1,66
400	0,94	1,70	1,66
450	0,47	1,59	-
500	-	1,24	-
550	-	0,54	-

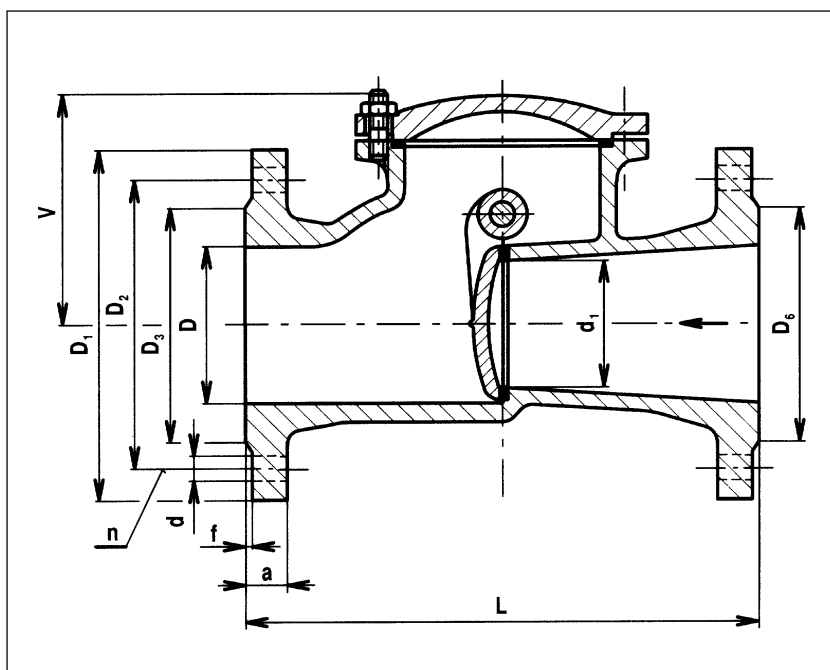
The valve is not for flow shut-off - a shut-off valve must be installed in the pipeline for this purpose.

DESIGN FEATURES

Swing check valve is straight flow valve. Disc fits on the seat sealing surface and is carried in an arm revolving on a special hinge pin. Sealing surfaces are welded on. Disc is pushed to the sealing surfaces during the reverse flow.

STANDARDS

Face-to-face dimensions are given in the table below. Face-to-face dimensions as per ČSN EN 558-1. Flange connection dimensions as per ČSN 13 1060 and ČSN 13 1061.



MATERIAL

Part	-516	-216	-216B
Body, bonnet, disc	carbon steel (GS-C25)	alloy steel (1.7357)	alloy steel (1.1133)
Pin	stainless steel (13Cr)		
Sealing surface	welded overlay (13Cr)		

INSTALLATION

Valve can be installed either into horizontal or vertical position. In vertical pipeline disc must be in upper position and flow direction must be upwards.

TESTING AND CERTIFICATES

Testing is carried out in accordance with DIN 3230, certificates to EN 10204/3.1.B.

VARIOUS DESIGN

L10 - basic, L11 - with lever and counterweight, L16 - with by-pass, L17 - with lever and counterweight and by-pass

DN	D	L	V	D1	D2	D3	a	f	n	d	kg
40	40	200	105	150	110	88	18	3	4	18	12
50	50	230	110	165	125	102	18	3	4	18	15
65	70	290	140	185	145	122	18	3	4	18	20
80	80	310	145	200	160	133	20	3	8	18	24
100	100	350	160	220	180	158	20	3	8	18	35
125	125	400	180	250	210	184	22	3	8	18	48
150	150	460	195	285	240	212	22	3	8	22	62
200	200	500	245	340	295	268	24	3	12	22	103
250	250	600	285	405	355	320	26	3	12	26	164
300	300	700	337	460	410	370	28	4	16	26	210
350	350	800	385	520	470	430	30	4	16	26	295
400	400	900	435	580	525	482	32	4	16	30	400
500	500	1100	500	715	650	585	36	4	20	33	540
600	600	1300	785	840	770	685	40	5	20	36	1050